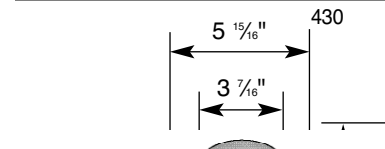




# POP-UP DRAINAGE EMITTER

Part No.	Description	Color	Pkg. Qty.	Wt. Ea. (lbs.)	Product Class	Specifications
----------	-------------	-------	-----------	----------------	---------------	----------------

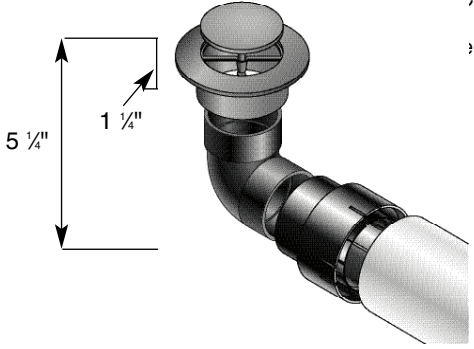


**430** 3" and 4" Pop-Up Drainage Emitter with Elbow and Universal Adapter

Universal Adapter fits 3" and 4" corrugated pipe, 3" and 4" sewer and drain pipe, 4" SCH 40 pipe, and 3" and 4" triple wall pipe.

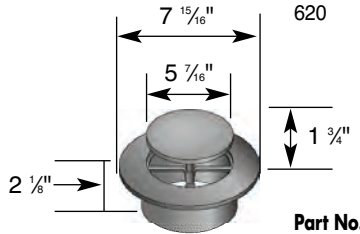
Universal Adapter, part #1241, also sold separately. See page 24.

NDS #430 4" Polyolefin Pop-Up Drainage Emitter, Center Drive Spring Loaded Pop-Up with UV inhibitor, PVC 90 degree elbow with 1/4" drain hole 40 G.P.M.



## 6" POP-UP DRAINAGE EMITTER

Part No.	Description	Color	Pkg. Qty.	Wt. Ea. (lbs.)	Product Class	Specifications
----------	-------------	-------	-----------	----------------	---------------	----------------

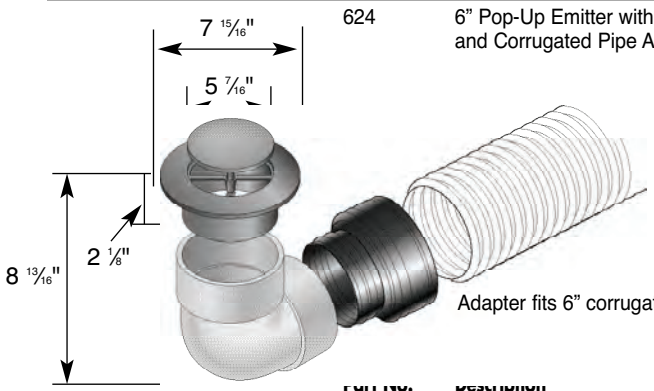


**620** 6" Pop-Up Drainage Emitter

Adapter fits 6" corrugated pipe.

NDS #620 6" Polyolefin Pop-Up Drainage Emitter, Center Spring Loaded Drive Pop-Up with UV inhibitor. 100 G.P.M

Part No.	Description	Color	Pkg. Qty.	Wt. Ea. (lbs.)	Product Class	Specifications
----------	-------------	-------	-----------	----------------	---------------	----------------

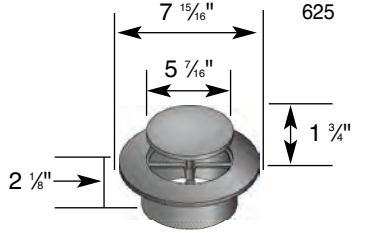


**624** 6" Pop-Up Emitter with Elbow and Corrugated Pipe Adapter

Adapter fits 6" corrugated pipe.

NDS #624 6" Polyolefin Pop-Up Drainage Emitter, Center Spring Loaded Drive Pop-Up with UV Inhibitor, PVC 90 degree elbow with 1/4" drain hole 100 G.P.M

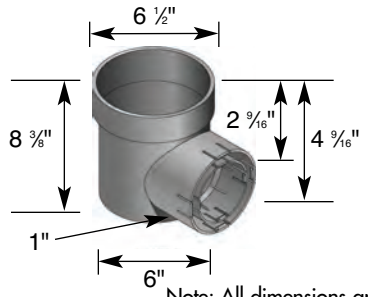
Part No.	Description	Color	Pkg. Qty.	Wt. Ea. (lbs.)	Product Class	Specifications
----------	-------------	-------	-----------	----------------	---------------	----------------



**625** 6" Pop-Up Emitter with Spee-D® Basin

Use with 3" or 4" Sewer & Drain Pipe, 3" or 4" Corrugated Pipe, 4" SCH 40 Pipe, and 3" & 4" Triple Wall Pipe.

NDS #625 6" Polyolefin Pop-Up Drainage Emitter, Center Spring Loaded Drive Pop-Up with UV Inhibitor, with 6" Spee-D® Basin. 100 G.P.M



Note: All dimensions are nominal. All weights are for shipping purposes only. Availability is subject to change.

For customer service, please send your fax to: 1-800-726-1998 or call 1-800-726-1994.